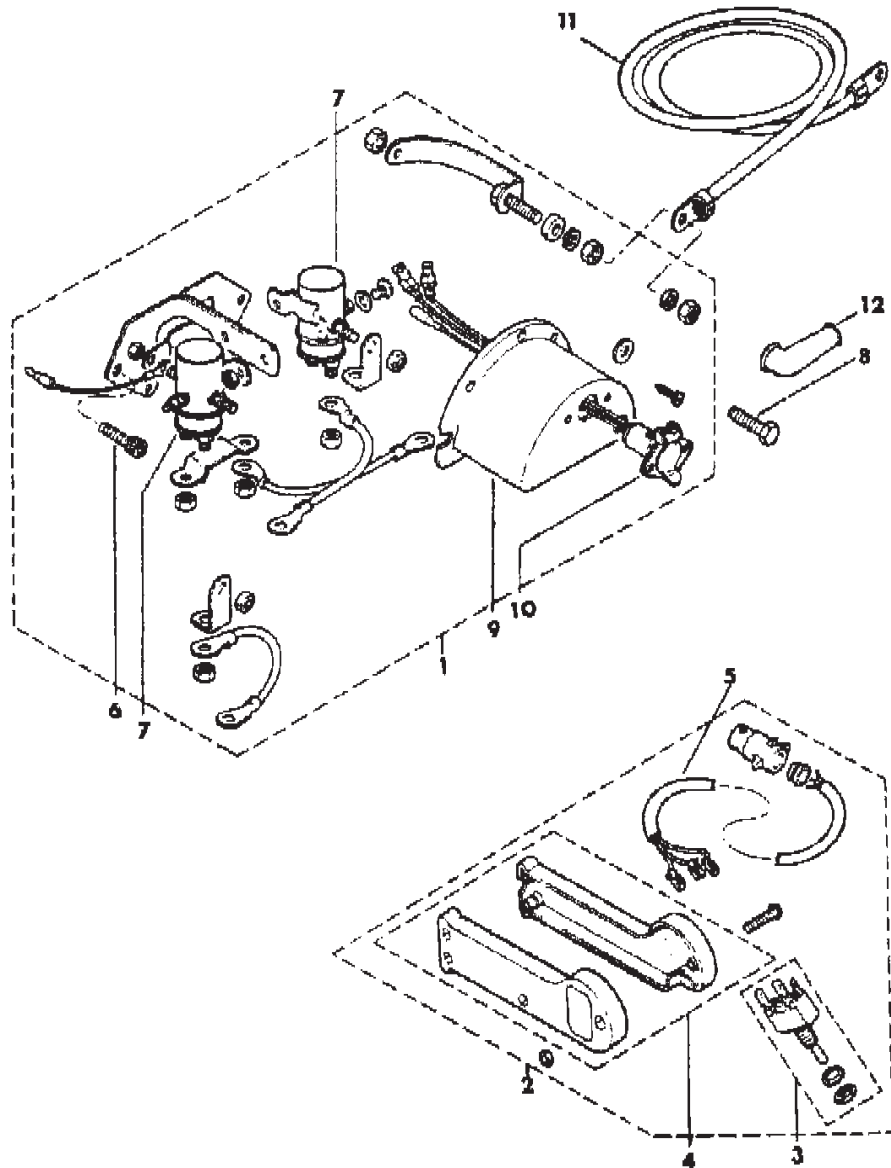


WINCH CONTROLS RAMSEY 2000 OR 2001 OR 7901 CJ, SJ CHEROKEE, SJ WAGONEER, J10, J20
Figure 13-700

81J13 700



ITEM	PART NUMBER	QTY	BODY	MODEL	DESCRIPTION
1	J813 1020	1			SOLENOID ASSEMBLY, Winch ***
2	J206 2152	1			SWITCH ASSEMBLY, Winch ***
3	J205 7163	1			SWITCH
4	J813 1019	1			HANDLE
5	J813 1018	1			HARNESSE, Wire
6	J813 1064	AR			BOLT
7	J206 2132	2			SOLENOID ***
8	S018 0022	AR			BOLT
9	J813 1023	1			COVER
10	J813 1022	1			CONNECTOR
11	J206 2151	1			CABLE
12	J813 1219	1			COVER

MODEL CODES

16=Cherokee 2 Dr.(1981-83)	78=Cherokee 4WD-4 Dr.(1984-86)	64=Comanche 2WD-6 Ft. Box(1986)	25=J-10 Truck 7 Ft. Box(1981-84)
17=Cherokee 2 Dr.(1981-83)	85=CJ-5 (1981-83)	66=Comanche 2WD-7 Ft. Box(1986)	26=J10 Truck 8 Ft. Box(1981-86)
73=Cherokee 2WD-2 Dr.(1984-86)	86=CJ-6(1981)	63=Comanche 4WD-6 Ft. Box(1986)	27=J-20 Truck 8 Ft. Box(1981-86)
74=Cherokee 2WD-4 Dr.(1984-86)	87=CJ-7(1981-86)	65=Comanche 4WD-7 Ft. Box(1986)	15=Wagoneer 4 Dr.(1981-83)
18=Cherokee 4 Dr.(1981-83)	88=CJ-8, Scrambler(1981-86)	15=Grand Wagoneer 4 Dr.(1984-86)	75=Wagoneer 4WD-4 Dr.(1984-86)
77=Cherokee 4WD-2 Dr.(1984-86)			

BODY

CJ=CJ-5, CJ-6, CJ-7, CJ-8, Scrambler(1981-86)
MJ=Comanche Pickup(1986)

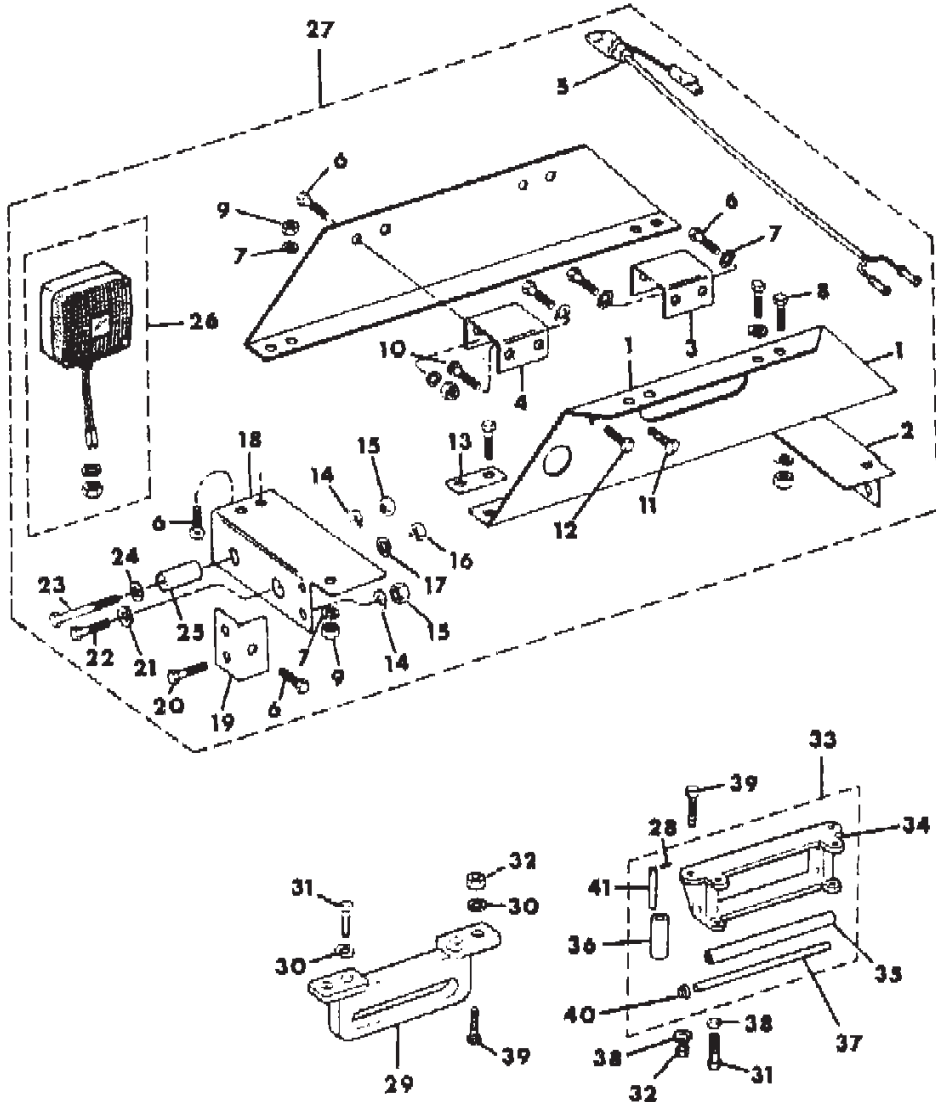
STYLES

SJ=Wagoneer(1981-83), Grand Wagoneer(1984-86),
Cherokee(1981-83), J-10, J-20(1981-86)
XJ=Wagoneer(1984-86), Cherokee(1984-86)

AR = Use as Required - = Non Illustrated Part P.A.R. = Paint as Required

WINCH MOUNTING, REGULAR RAMSEY 2000 OR 2001 CJ
Figure 13-800

81J13 800



ITEM	PART NUMBER	QTY	BODY	MODEL	DESCRIPTION
1					BRACKET, Mounting
	J813 1038	1			Right
	J813 1037	1			Left
2	J813 1035	2			BRACKET
3	J813 1062	1			BRACKET
4	J813 1063	1			BRACKET
5	J813 1045	2			WIRE
6	J018 0122	AR			BOLT
7	J012 0382	AR			WASHER, Lock
8	S018 0124	AR			BOLT
9	J012 0377	AR			NUT
10	J813 1033	4			BOLT
11	J813 1034	AR			SCREW
12	J018 0120	AR			BOLT
13	J813 1040	4			BRACKET
14	S012 0384	AR			WASHER, Lock
15	S012 0378	AR			NUT
16	S022 0086	AR			NUT
17	S013 1046	AR			WASHER
18	J813 1036	2			BRACKET, Mounting
19	J813 1039	AR			BRACKET
20	J018 0173	AR			BOLT
21	S013 1017	AR			WASHER
22	S027 1767	2			BOLT
23	S018 0192	2			BOLT
24	J012 0396	AR			WASHER
25	J813 1044	AR			SPACER
26	J813 1043	2			LAMP, Park/Turn
27	J206 1506	1			MOUNTING PACKAGE, Winch ***
28	J813 1017	AR			PIN
29	J813 1011	1			GUIDE, Cable
30	J012 0382	2			WASHER, Lock
31	J018 0122	AR			BOLT
32	J012 0377	AR			NUT
33	J813 1177	1			GUIDE, Cable
34	J813 1012	1			FRAME
35	J813 1015	2			ROLLER
36	J813 1016	2			ROLLER
37	J813 1013	1			PIN

MODEL CODES

16=Cherokee 2 Dr.(1981-83)	78=Cherokee 4WD-4 Dr.(1984-86)	64=Comanche 2WD-6 Ft. Box(1986)	25=J-10 Truck 7 Ft. Box(1981-84)
17=Cherokee 2 Dr.(1981-83)	85=CJ-5 (1981-83)	66=Comanche 2WD-7 Ft. Box(1986)	26=J10 Truck 8 Ft. Box(1981-86)
73=Cherokee 2WD-2 Dr.(1984-86)	86=CJ-6(1981)	63=Comanche 4WD-6 Ft. Box(1986)	27=J-20 Truck 8 Ft. Box(1981-86)
74=Cherokee 2WD-4 Dr.(1984-86)	87=CJ-7(1981-86)	65=Comanche 4WD-7 Ft. Box(1986)	15=Wagoneer 4 Dr.(1981-83)
18=Cherokee 4 Dr.(1981-83)	88=CJ-8, Scrambler(1981-86)	15=Grand Wagoneer 4 Dr.(1984-86)	75=Wagoneer 4WD-4 Dr.(1984-86)
77=Cherokee 4WD-2 Dr.(1984-86)			

BODY

CJ=CJ-5, CJ-6, CJ-7, CJ-8, Scrambler(1981-86)
MJ=Comanche Pickup(1986)

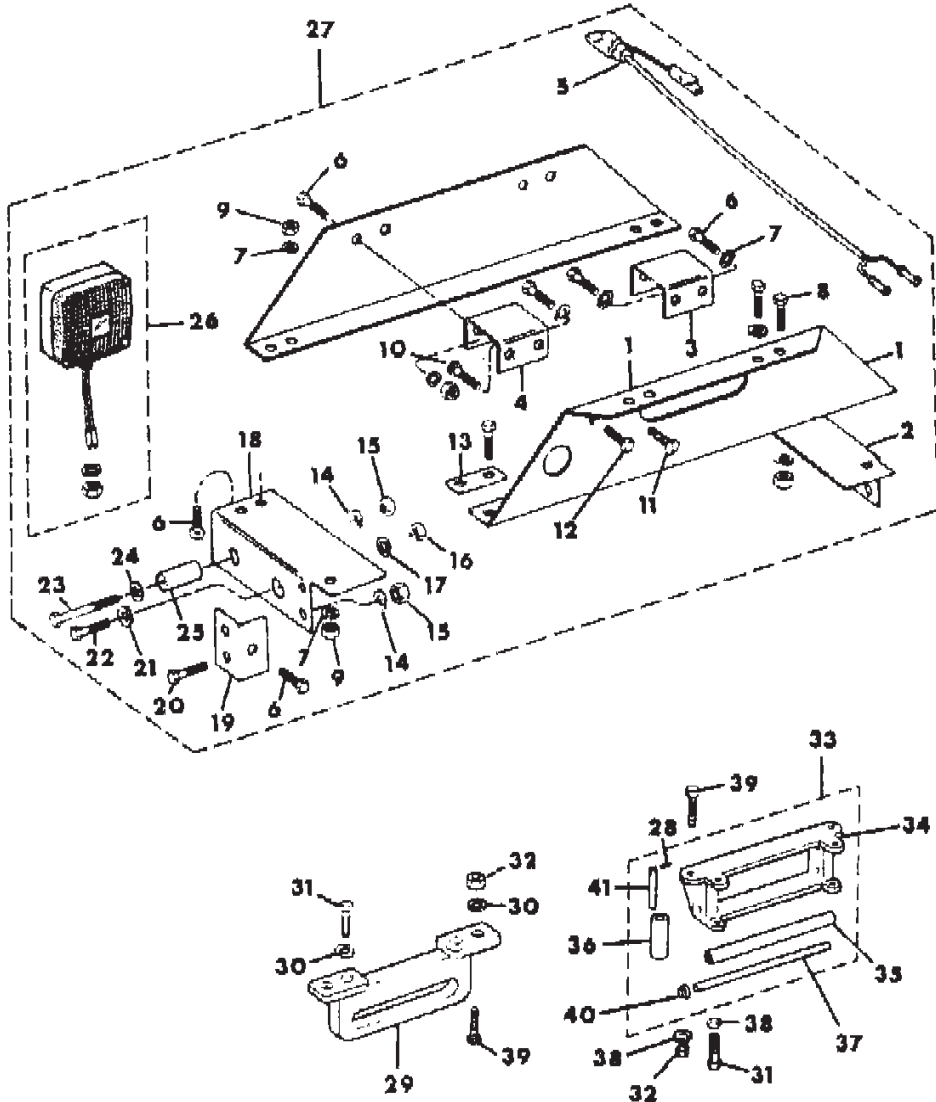
STYLES

SJ=Wagoneer(1981-83), Grand Wagoneer(1984-86),
Cherokee(1981-83), J-10, J-20(1981-86)
XJ=Wagoneer(1984-86), Cherokee(1984-86)

AR = Use as Required - = Non Illustrated Part P.A.R. = Paint as Required

WINCH MOUNTING, REGULAR RAMSEY 2000 OR 2001 CJ
Figure 13-800

81J13 800



ITEM	PART NUMBER	QTY	BODY	MODEL	DESCRIPTION
38	J012 0382	AR			WASHER, Lock
39	J018 0124	AR			BOLT
40	J813 1021	AR			CAP
41	J813 1014	2			PIN

MODEL CODES

16=Cherokee 2 Dr.(1981-83)	78=Cherokee 4WD-4 Dr.(1984-86)	64=Comanche 2WD-6 Ft. Box(1986)	25=J-10 Truck 7 Ft. Box(1981-84)
17=Cherokee 2 Dr.(1981-83)	85=CJ-5 (1981-83)	66=Comanche 2WD-7 Ft. Box(1986)	26=J10 Truck 8 Ft. Box(1981-86)
73=Cherokee 2WD-2 Dr.(1984-86)	86=CJ-6(1981)	63=Comanche 4WD-6 Ft. Box(1986)	27=J-20 Truck 8 Ft. Box(1981-86)
74=Cherokee 2WD-4 Dr.(1984-86)	87=CJ-7(1981-86)	65=Comanche 4WD-7 Ft. Box(1986)	15=Wagoneer 4 Dr.(1981-83)
18=Cherokee 4 Dr.(1981-83)	88=CJ-8, Scrambler(1981-86)	15=Grand Wagoneer 4 Dr.(1984-86)	75=Wagoneer 4WD-4 Dr.(1984-86)
77=Cherokee 4WD-2 Dr.(1984-86)			

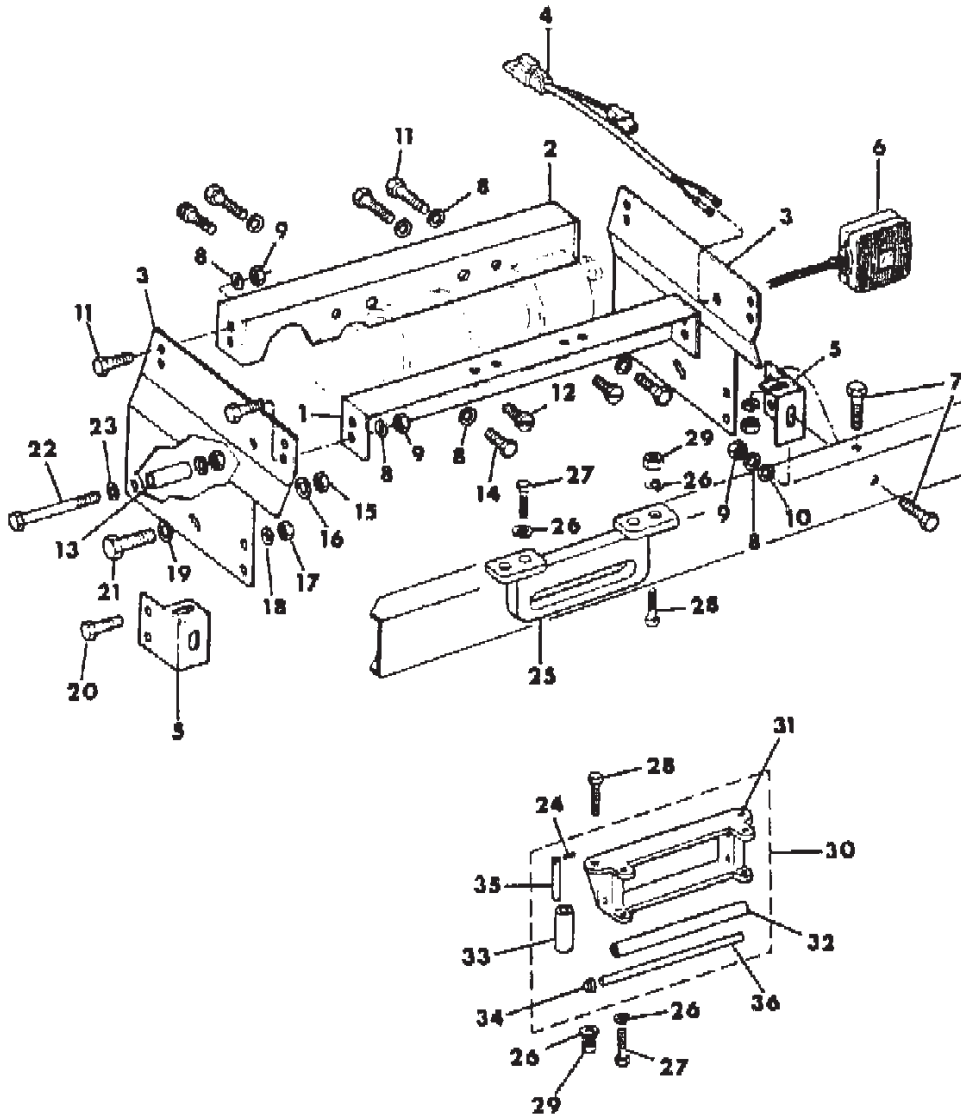
BODY
CJ=CJ-5, CJ-6, CJ-7, CJ-8, Scrambler(1981-86)
MJ=Comanche Pickup(1986)

STYLES
SJ=Wagoneer(1981-83), Grand Wagoneer(1984-86),
Cherokee(1981-83), J-10, J-20(1981-86)
XJ=Wagoneer(1984-86), Cherokee(1984-86)

AR = Use as Required - = Non Illustrated Part P.A.R. = Paint as Required

WINCH MOUNTING, LIGHTWEIGHT RAMSEY 2000 OR 2001 CJ
Figure 13-900

81J13 900



ITEM	PART NUMBER	QTY	BODY	MODEL	DESCRIPTION
1	J813 1169	1			BAR
2	J813 1174	1			BAR
3	J813 1172-3	1			BRACKET
4	J813 1045	2			WIRE
5	J813 1170-1	1			BRACKET
6	J813 1043	2			LAMP, Park/Turn
7	S018 0124	AR			BOLT
8	J012 0382	AR			WASHER, Lock
9	J012 0377	AR			NUT
10	J012 0394	AR			WASHER
11	J018 0122	AR			BOLT
12	J813 1034	AR			BOLT
13	J813 1044	AR			SPACER
14	J018 0120	AR			BOLT
15	S022 0086	AR			NUT
16	S013 1046	AR			WASHER
17	S012 0378	AR			NUT
18	S012 0384	AR			WASHER
19	S013 1017	AR			WASHER
20	J018 0173	AR			BOLT
21	S027 1767	AR			BOLT
22	S018 0192	AR			BOLT
23	J012 0396	AR			WASHER
24	J813 1017	AR			PIN
25	J813 1011	1			GUIDE, Cable
26	J012 0382	AR			WASHER, Lock
27	J018 0122	AR			BOLT
28	J018 0124	1			BOLT
29	J012 0377	AR			NUT
30	J813 1177	1			GUIDE, Cable
31	J813 1012	1			FRAME
32	J813 1015	2			ROLLER
33	J813 1016	2			ROLLER
34	J813 1021	AR			CAP
35	J813 1014	2			PIN
36	J813 1013	2			PIN

MODEL CODES

16=Cherokee 2 Dr.(1981-83)	78=Cherokee 4WD-4 Dr.(1984-86)	64=Comanche 2WD-6 Ft. Box(1986)	25=J-10 Truck 7 Ft. Box(1981-84)
17=Cherokee 2 Dr.(1981-83)	85=CJ-5 (1981-83)	66=Comanche 2WD-7 Ft. Box(1986)	26=J10 Truck 8 Ft. Box(1981-86)
73=Cherokee 2WD-2 Dr.(1984-86)	86=CJ-6(1981)	63=Comanche 4WD-6 Ft. Box(1986)	27=J-20 Truck 8 Ft. Box(1981-86)
74=Cherokee 2WD-4 Dr.(1984-86)	87=CJ-7(1981-86)	65=Comanche 4WD-7 Ft. Box(1986)	15=Wagoneer 4 Dr.(1981-83)
18=Cherokee 4 Dr.(1981-83)	88=CJ-8, Scrambler(1981-86)	15=Grand Wagoneer 4 Dr.(1984-86)	75=Wagoneer 4WD-4 Dr.(1984-86)
77=Cherokee 4WD-2 Dr.(1984-86)			

BODY

CJ=CJ-5, CJ-6, CJ-7, CJ-8, Scrambler(1981-86)
MJ=Comanche Pickup(1986)

STYLES

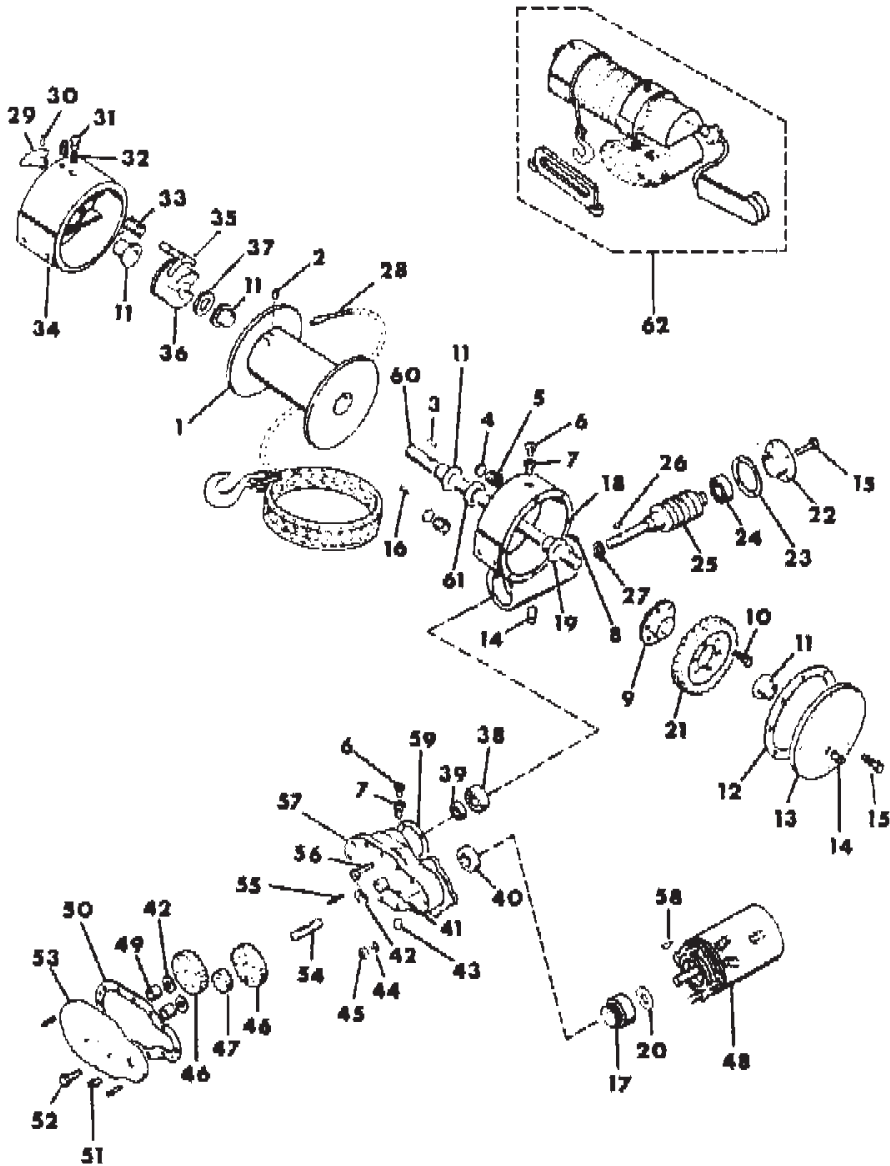
SJ=Wagoneer(1981-83), Grand Wagoneer(1984-86),
Cherokee(1981-83), J-10, J-20(1981-86)
XJ=Wagoneer(1984-86), Cherokee(1984-86)

AR = Use as Required - = Non Illustrated Part P.A.R. = Paint as Required

WINCH MOTOR AND DRUM RAMSEY, 2000 OR 2001 CJ, SJ CHEROKEE, SJ WAGONEER, J10, J20

Figure 13-1000

81J13 1000



ITEM	PART NUMBER	QTY	BODY	MODEL	DESCRIPTION
1	J205 1455	1			DRUM, Cable ***
2	J205 1019	1			PLUG
3	J813 1191	1			KEY
4	J205 1100	1			CAP
5	J205 1102	1			SPRING
6	J205 1247	1			PLUG
7	J011 9923	1			SCREW
8	J205 1097	2			KEY
9	J205 1048	1			HUB ***
10	J018 0077	AR			BOLT
11	J813 1195	1			BUSHING
12	J205 1067	1			GASKET
13	J813 1186	1			COVER
14	J010 3867	3			PLUG
15	J018 0020	AR			BOLT
16	J813 1191	2			KEY
17	J812 9999	1			GEAR ***
18	J813 1000	1			HOUSING
19	J813 1194	1			BUSHING
20	J813 1007	1			WASHER
21	J205 1056	1			GEAR ***
22	J813 1184	1			CAP
23	J205 1104	1			GASKET
24	J205 1099	1			BEARING
25	J813 1192	1			GEAR ***
26	J813 1197	1			KEY
27	J206 2126	1			RING, Snap
28	J205 1436	1			CABLE, Tow
29	J813 1188	1			HANDLE
30	J813 1198	1			PIN
31	J813 1199	1			PLUG
32	J813 1196	1			SCREW
33	J813 1200	1			SPRING
34	J813 1190	1			HOUSING
35	J813 1183	1			SHIFTER ***
36	J813 1185	1			CLUTCH ***
37	J813 1189	1			SPACER
38	J205 1099	1			BEARING
39	J205 1103	1			SEAL

MODEL CODES

16=Cherokee 2 Dr.(1981-83)	78=Cherokee 4WD-4 Dr.(1984-86)	64=Comanche 2WD-6 Ft. Box(1986)	25=J-10 Truck 7 Ft. Box(1981-84)
17=Cherokee 2 Dr.(1981-83)	85=CJ-5 (1981-83)	66=Comanche 2WD-7 Ft. Box(1986)	26=J10 Truck 8 Ft. Box(1981-86)
73=Cherokee 2WD-2 Dr.(1984-86)	86=CJ-6(1981)	63=Comanche 4WD-6 Ft. Box(1986)	27=J-20 Truck 8 Ft. Box(1981-86)
74=Cherokee 2WD-4 Dr.(1984-86)	87=CJ-7(1981-86)	65=Comanche 4WD-7 Ft. Box(1986)	15=Wagoneer 4 Dr.(1981-83)
18=Cherokee 4 Dr.(1981-83)	88=CJ-8, Scrambler(1981-86)	15=Grand Wagoneer 4 Dr.(1984-86)	75=Wagoneer 4WD-4 Dr.(1984-86)
77=Cherokee 4WD-2 Dr.(1984-86)			

BODY

CJ=CJ-5, CJ-6, CJ-7, CJ-8, Scrambler(1981-86)
MJ=Comanche Pickup(1986)

STYLES

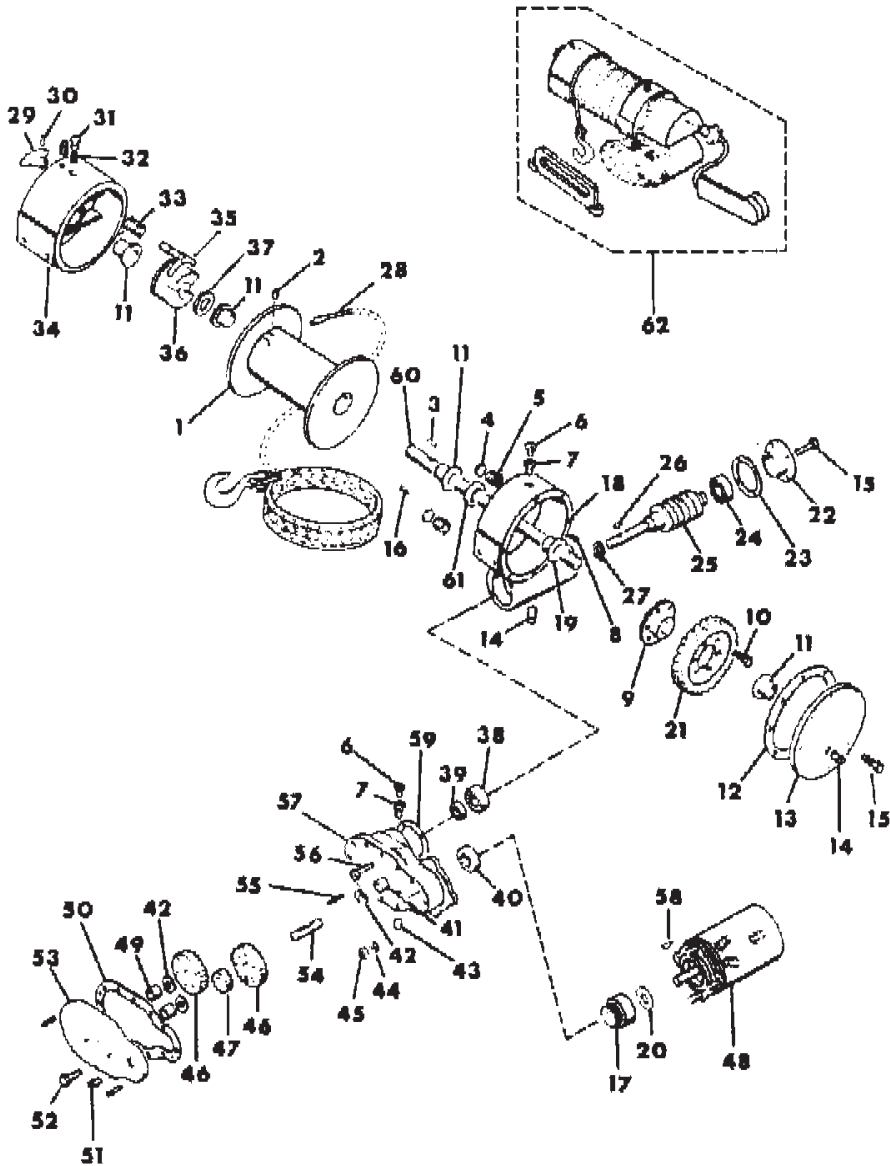
SJ=Wagoneer(1981-83), Grand Wagoneer(1984-86),
Cherokee(1981-83), J-10, J-20(1981-86)
XJ=Wagoneer(1984-86), Cherokee(1984-86)

AR = Use as Required - = Non Illustrated Part P.A.R. = Paint as Required

WINCH MOTOR AND DRUM RAMSEY, 2000 OR 2001 CJ, SJ CHEROKEE, SJ WAGONEER, J10, J20

Figure 13-1000

81J13 1000



ITEM	PART NUMBER	QTY	BODY	MODEL	DESCRIPTION
40	J813 1008	1			SEAL
41	J813 1193	2			BUSHING
42	J205 7017	1			WASHER
43	J010 3867	1			SCREW
44	J012 0382	AR			WASHER
45	J012 0369	AR			NUT
46	J206 2114	2			GEAR ***
47	J206 2112	1			GEAR ***
48	J206 2124	1			MOTOR
49	J813 1193	2			BUSHING
50	J206 2119	1			GASKET
51	J205 1322	1			PLUG
52	J813 1018	AR			BOLT
53	J813 1187	1			COVER
54	J206 2111	1			SHAFT
55	J206 2136	1			KEY
56	J813 1069	1			BOLT
57	J813 1001	1			HOUSING
58	J813 1003	1			KEY
59	J205 1004	1			GASKET
60	J813 1168	1			SHAFT
61	J813 1010	1			SEAL
62					WINCH ***
	J206 1019	1			Model 2000
	J206 1020	1			Model 2001

Winch Assemblies Include:
 A. Solenoid Assembly J8131020
 B. Switch Assembly J2062152
 C. Handle J8131019
 D. Connector Assembly J8131022
 E. Fairlead Assembly

MODEL CODES			
16=Cherokee 2 Dr.(1981-83)	78=Cherokee 4WD-4 Dr.(1984-86)	64=Comanche 2WD-6 Ft. Box(1986)	25=J-10 Truck 7 Ft. Box(1981-84)
17=Cherokee 2 Dr.(1981-83)	85=CJ-5 (1981-83)	66=Comanche 2WD-7 Ft. Box(1986)	26=J10 Truck 8 Ft. Box(1981-86)
73=Cherokee 2WD-2 Dr.(1984-86)	86=CJ-6(1981)	63=Comanche 4WD-6 Ft. Box(1986)	27=J-20 Truck 8 Ft. Box(1981-86)
74=Cherokee 2WD-4 Dr.(1984-86)	87=CJ-7(1981-86)	65=Comanche 4WD-7 Ft. Box(1986)	15=Wagoneer 4 Dr.(1981-83)
18=Cherokee 4 Dr.(1981-83)	88=CJ-8, Scrambler(1981-86)	15=Grand Wagoneer 4 Dr.(1984-86)	75=Wagoneer 4WD-4 Dr.(1984-86)
77=Cherokee 4WD-2 Dr.(1984-86)			

BODY	STYLES
CJ=CJ-5, CJ-6, CJ-7, CJ-8, Scrambler(1981-86)	SJ=Wagoneer(1981-83), Grand Wagoneer(1984-86), Cherokee(1981-83), J-10, J-20(1981-86)
MJ=Comanche Pickup(1986)	XJ=Wagoneer(1984-86), Cherokee(1984-86)

AR = Use as Required - = Non Illustrated Part P.A.R. = Paint as Required