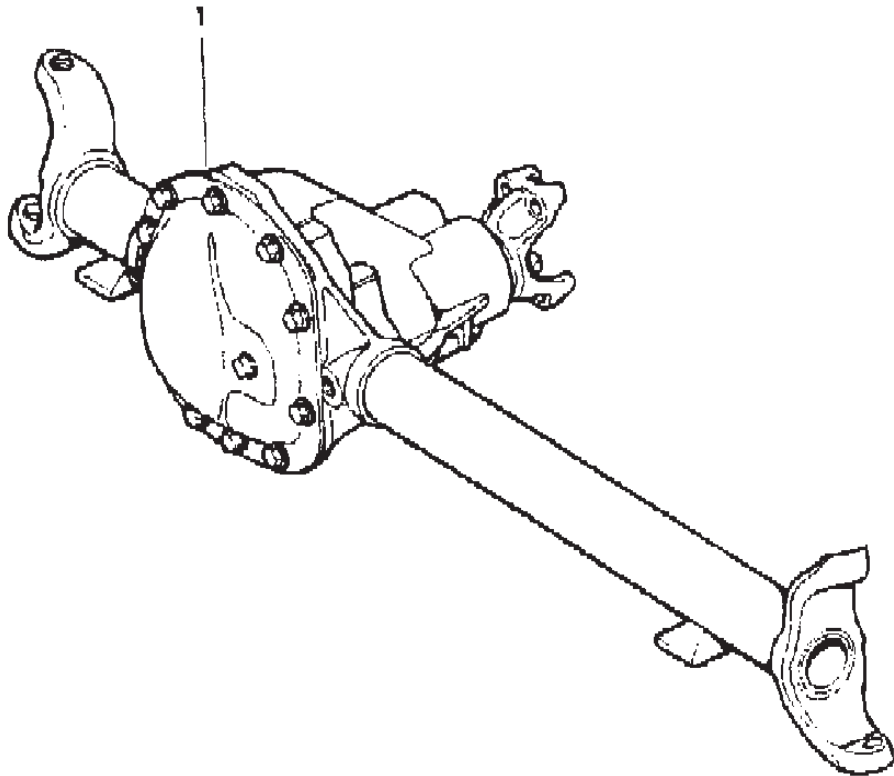


AXLE ASSEMBLY, FRONT CJ-5,6,7,8, SCRAMBLER
Figure 2-1000

81J02 1000



ITEM	PART NUMBER	QTY	BODY	MODEL	DESCRIPTION
1					AXLE ASSEMBLY, Front ***
					Left Hand Drive
	J813 3060	1			1981: 2.72 Ratio, Tagged 5361879
	J813 3687	1			1981: 2.72 Ratio, Tagged 5363137
	J813 3061	1			1981: 3.31 Ratio, Tagged 5361880
	J813 3688	1			1981: 3.31 Ratio, Tagged 5363138
	J813 3595	1			1981: 3.54 Ratio, Tagged 5362979
	J813 3689	1			1981: 3.54 Ratio, Tagged 5363143
	J813 3062	1			1981: 3.73 Ratio, Tagged 5361882
	J813 3690	1			1981: 3.73 Ratio, Tagged 5363140
	J813 3898	1	85		1982-83: 2.72 Ratio, Tagged 5363426
	J813 3899	1	85		1982-83: 3.31 Ratio, Tagged 5363427
	J813 3900	1	85		1982-83: 3.54 Ratio, Tagged 5363428
	J813 3901	1	85		1982-83: 4.09 Ratio, Tagged 5363429
	J813 3866	1	87,88		1982-86: 2.72 Ratio, Tagged 5363733, 8953004037 or 8953004231
	J813 3881	1	87,88		1982-86: 3.31 Ratio, Tagged 5363734, 8953004038 or 8953004232
	J813 3882	1	87,88		1982-86: 3.54 Ratio, Tagged 5363735, 8953004039 or 8953004233
	J813 3883	1	87,88		1982-86: 4.09 Ratio, Tagged 5363736, 8953004040 or 8953004234
	J813 4384	1	87,88		1982-86: 4.56 Ratio, Tagged 5364002, 8953004041 or 8953004235
					Right Hand Drive
	J813 3687	1			1981: 2.72 Ratio, Tagged 5363142
	J813 3688	1			1981: 3.31 Ratio, Tagged 5363141
	J813 3690	1			1981: 3.73 Ratio, Tagged 5363139
	J813 3898	1	85		1982-83: 2.72 Ratio, Tagged 5363430
	J813 3899	1	85		1982-83: 3.31 Ratio, Tagged 5363431
	J813 3901	1	85		1982-83: 4.09 Ratio, Tagged 5363432
	J813 3866	1	87,88		1982-86: 2.72 Ratio, Tagged 5363737, 8953004228 or 8953004236
	J813 3881	1	87,88		1982-86: 3.31 Ratio, Tagged 5363738, 8953004229 or 8953004237
	J813 3883	1	87,88		1982-86: 4.09 Ratio, Tagged 5363739, 8953004230 or 8953004238
	J813 4384	1	87,88		1982-86: 4.56 Ratio, Tagged 5364781
MODEL CODES					
16=Cherokee 2 Dr.(1981-83)		78=Cherokee 4WD-4 Dr.(1984-86)		64=Comanche 2WD-6 Ft. Box(1986)	
17=Cherokee 2 Dr.(1981-83)		85=CJ-5 (1981-83)		66=Comanche 2WD-7 Ft. Box(1986)	
73=Cherokee 2WD-2 Dr.(1984-86)		86=CJ-6(1981)		63=Comanche 4WD-6 Ft. Box(1986)	
74=Cherokee 2WD-4 Dr.(1984-86)		87=CJ-7(1981-86)		65=Comanche 4WD-7 Ft. Box(1986)	
18=Cherokee 4 Dr.(1981-83)		88=CJ-8, Scrambler(1981-86)		15=Grand Wagoneer 4 Dr.(1984-86)	
77=Cherokee 4WD-2 Dr.(1984-86)				75=Wagoneer 4WD-4 Dr.(1984-86)	
BODY					
CJ=CJ-5, CJ-6, CJ-7, CJ-8, Scrambler(1981-86)					
MJ=Comanche Pickup(1986)					
STYLES					
SJ=Wagoneer(1981-83), Grand Wagoneer(1984-86), Cherokee(1981-83), J-10, J-20(1981-86)					
XJ=Wagoneer(1984-86), Cherokee(1984-86)					

AR = Use as Required - = Non Illustrated Part P.A.R. = Paint as Required