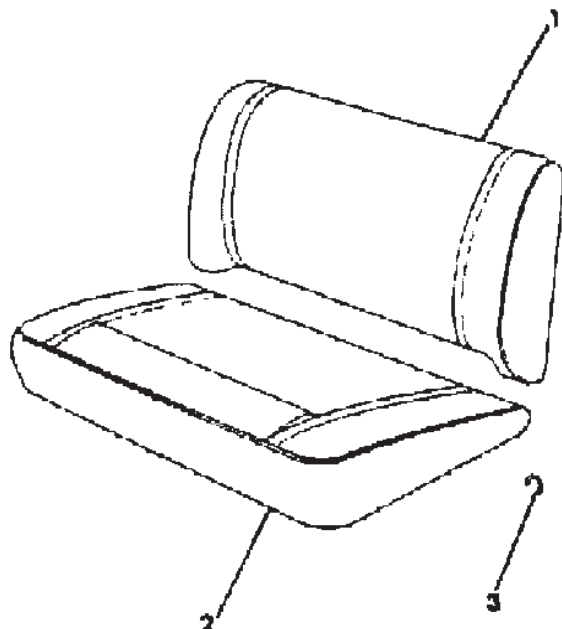
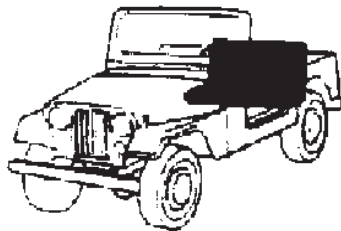


COVERS, REAR SEAT UPHOSTERY WITH FIXED REAR SEAT CJ-5,6,7,8, SCRAMBLER

Figure 46-1900

81J 046 1900



ITEM	PART NUMBER	QTY	BODY	MODEL	DESCRIPTION
1					COVER, Back
	J575 3348	1			Coded "1BA", 1981-82
	J576 2955	1			Coded "1BA", 1983
	J576 5181	1			Coded "1BA"or"1EA", 1984
	5500 9460	1			Coded "1BA", 1986
	J575 5674	1			Coded "1EB", 1981-82
	J576 2076	1			Coded "1EB", 1983
	J576 5178	1			Coded "1EB", 1984-85
	5500 9960	1			Coded "1EB", 1986
	5500 9551	1			Coded "1EE", 1985
	J575 7629	1			Coded "1EJ", 1981-82
	J576 2055	1			Coded "1EJ", 1983
	J576 5176	1			Coded "1EJ", 1984-85
	5500 9469	1			Coded "1EJ", 1986
	J576 3064	1			Coded "1EN", 1982
	J575 4009	1			Coded "1FA", 1981-82
	J576 2957	1			Coded "1FA", 1983
	J576 5183	1			Coded "1FA", 1984-85
	5500 9461	1			Coded "1FA", 1986
	J575 5676	1			Coded "3EB", 1981
	J576 0679	1			Coded "3EB", 1982
	J576 2077	1			Coded "3EB", 1983
	J576 0817	1			Coded "3EE", 1982
	J576 2057	1			Coded "3EE", 1983
	J576 5180	1			Coded "4EB", 1984-85
	5500 9961	1			Coded "4EB", 1986
	J575 5182	1			Coded "5EB", 1981-82
	J576 2078	1			Coded "5EB", 1983
	J576 5179	1			Coded "5EB", 1984
	J576 0818	1			Coded "5EE", 1982
	J576 2058	1			Coded "5EE", 1983
	J575 5184	1			Coded "5EJ", 1981-82
	J576 2056	1			Coded "5EJ", 1983
	J576 5177	1			Coded "5EJ", 1984
	J576 0820	1			Coded "5EL", 1982
	J576 2961	1			Coded "5EL", 1983
	J575 5178	1			Coded "6BA", 1981-82
	J576 2956	1			Coded "6BA", 1983
	J576 5182	1			Coded "6BA"or"6EA", 1984-85

MODEL CODES

16=Cherokee 2 Dr.(1981-83)	78=Cherokee 4WD-4 Dr.(1984-86)	64=Comanche 2WD-6 Ft. Box(1986)	25=J-10 Truck 7 Ft. Box(1981-84)
17=Cherokee 2 Dr.(1981-83)	85=CJ-5 (1981-83)	66=Comanche 2WD-7 Ft. Box(1986)	26=J10 Truck 8 Ft. Box(1981-86)
73=Cherokee 2WD-2 Dr.(1984-86)	86=CJ-6(1981)	63=Comanche 4WD-6 Ft. Box(1986)	27=J-20 Truck 8 Ft. Box(1981-86)
74=Cherokee 2WD-4 Dr.(1984-86)	87=CJ-7(1981-86)	65=Comanche 4WD-7 Ft. Box(1986)	15=Wagoneer 4 Dr.(1981-83)
18=Cherokee 4 Dr.(1981-83)	88=CJ-8, Scrambler(1981-86)	15=Grand Wagoneer 4 Dr.(1984-86)	75=Wagoneer 4WD-4 Dr.(1984-86)
77=Cherokee 4WD-2 Dr.(1984-86)			

BODY

CJ=CJ-5, CJ-6, CJ-7, CJ-8, Scrambler(1981-86)
MJ=Comanche Pickup(1986)

STYLES

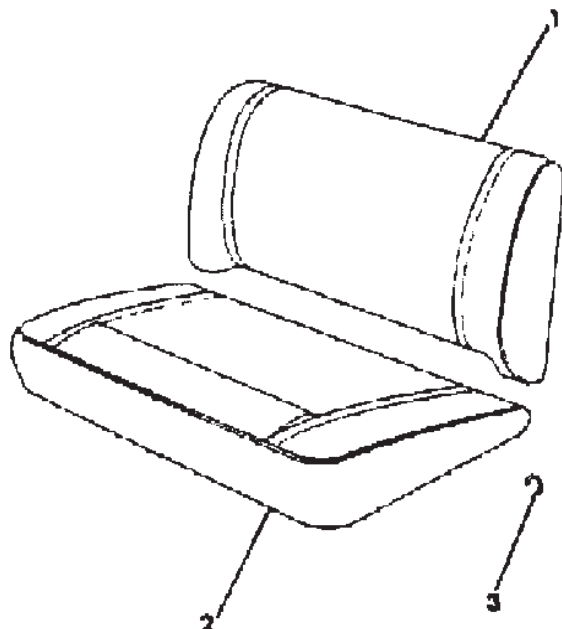
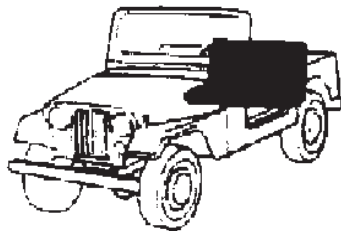
SJ=Wagoneer(1981-83), Grand Wagoneer(1984-86),
Cherokee(1981-83), J-10, J-20(1981-86)
XJ=Wagoneer(1984-86), Cherokee(1984-86)

AR = Use as Required - = Non Illustrated Part P.A.R. = Paint as Required

COVERS, REAR SEAT UPHOSTERY WITH FIXED REAR SEAT CJ-5,6,7,8, SCRAMBLER

Figure 46-1900

81J 046 1900



ITEM	PART NUMBER	QTY	BODY	MODEL	DESCRIPTION
	J575 5180	1			Coded "6FA", 1981-82
	J576 2958	1			Coded "6FA", 1983
	J576 5184	1			Coded "6FA", 1984-85
	5501 3436	1			Coded "9BA", 1986
	5500 9052	1			Coded "9EB", 1985
	5500 9962	1			Coded "9EB", 1986
	5500 9053	1			Coded "9EJ", 1985
	5500 9470	1			Coded "9EJ", 1986
	5501 3437	1			Coded "9FA", 1986
2					COVER, Cushion
	J575 3344	1			Coded "1BA", 1981-82
	J576 2951	1			Coded "1BA", 1983
	J576 4479	1			Coded "1BA", 1984
	J576 4479	1			Coded "1EA", 1985
	J575 5673	1			Coded "1EB", 1981-82
	J576 2073	1			Coded "1EB", 1983-85
	5500 9963	1			Coded "1EB", 1986
	5500 9550	1			Coded "1EE", 1985
	J575 7628	1			Coded "1EJ", 1981-82
	J576 2051	1			Coded "1EJ", 1983
	J576 4482	1			Coded "1EJ", 1984-85
	5500 9456	1			Coded "1EJ", 1986
	J576 3063	1			Coded "1EN", 1982
	J575 4007	1			Coded "1FA", 1981-82
	J576 2953	1			Coded "1FA", 1983
	J576 4480	1			Coded "1FA", 1984-85
	J575 5675	1			Coded "3EB", 1981
	J576 0678	1			Coded "3EB", 1982
	J576 2074	1			Coded "3EB", 1983
	J576 0813	1			Coded "3EE", 1982
	J576 2053	1			Coded "3EE", 1983
	J576 4481	1			Coded "4EB", 1984-85
	5500 9964	1			Coded "4EB", 1986
	J575 5181	1			Coded "5EB", 1981-82
	J576 2075	1			Coded "5EB", 1983-84
	J576 0814	1			Coded "5EE", 1982
	J576 2054	1			Coded "5EE", 1983
	J575 5183	1			Coded "5EJ", 1981-82
	J576 2052	1			Coded "5EJ", 1983-84

MODEL CODES

16=Cherokee 2 Dr.(1981-83)	78=Cherokee 4WD-4 Dr.(1984-86)	64=Comanche 2WD-6 Ft. Box(1986)	25=J-10 Truck 7 Ft. Box(1981-84)
17=Cherokee 2 Dr.(1981-83)	85=CJ-5 (1981-83)	66=Comanche 2WD-7 Ft. Box(1986)	26=J10 Truck 8 Ft. Box(1981-86)
73=Cherokee 2WD-2 Dr.(1984-86)	86=CJ-6(1981)	63=Comanche 4WD-6 Ft. Box(1986)	27=J-20 Truck 8 Ft. Box(1981-86)
74=Cherokee 2WD-4 Dr.(1984-86)	87=CJ-7(1981-86)	65=Comanche 4WD-7 Ft. Box(1986)	15=Wagoneer 4 Dr.(1981-83)
18=Cherokee 4 Dr.(1981-83)	88=CJ-8, Scrambler(1981-86)	15=Grand Wagoneer 4 Dr.(1984-86)	75=Wagoneer 4WD-4 Dr.(1984-86)
77=Cherokee 4WD-2 Dr.(1984-86)			

BODY

CJ=CJ-5, CJ-6, CJ-7, CJ-8, Scrambler(1981-86)
MJ=Comanche Pickup(1986)

STYLES

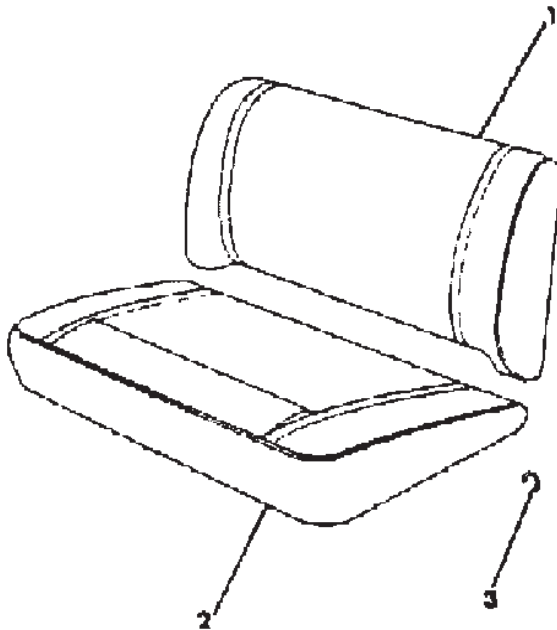
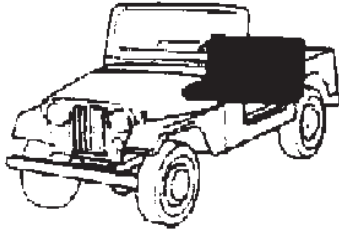
SJ=Wagoneer(1981-83), Grand Wagoneer(1984-86),
Cherokee(1981-83), J-10, J-20(1981-86)
XJ=Wagoneer(1984-86), Cherokee(1984-86)

AR = Use as Required - = Non Illustrated Part P.A.R. = Paint as Required

COVERS, REAR SEAT UPHOSTERY WITH FIXED REAR SEAT CJ-5,6,7,8, SCRAMBLER

Figure 46-1900

81J 046 1900



ITEM	PART NUMBER	QTY	BODY	MODEL	DESCRIPTION
	J576 0816	1			Coded "5EL", 1982
	J576 2960	1			Coded "5EL", 1983
	J575 5177	1			Coded "6BA", 1981-82
	J576 2952	1			Coded "6BA", 1983
	J576 4477	1			Coded "6BA"or"6EA", 1984-85
	J575 5179	1			Coded "6FA", 1981-82
	J576 2954	1			Coded "6FA", 1983
	J576 4478	1			Coded "6FA", 1984-85
	5501 3434	1			Coded "9BA", 1986
	5500 9050	1			Coded "9EB", 1985
	5500 9965	1			Coded "9EB", 1986
	5500 9051	1			Coded "9EJ", 1985
	5500 9457	1			Coded "9EJ", 1986
	5501 3435	1			Coded "9FA", 1986
3					RING
	J400 0251	AR			.50"
	J436 3256	AR			.75"

MODEL CODES

16=Cherokee 2 Dr.(1981-83)	78=Cherokee 4WD-4 Dr.(1984-86)	64=Comanche 2WD-6 Ft. Box(1986)	25=J-10 Truck 7 Ft. Box(1981-84)
17=Cherokee 2 Dr.(1981-83)	85=CJ-5 (1981-83)	66=Comanche 2WD-7 Ft. Box(1986)	26=J10 Truck 8 Ft. Box(1981-86)
73=Cherokee 2WD-2 Dr.(1984-86)	86=CJ-6(1981)	63=Comanche 4WD-6 Ft. Box(1986)	27=J-20 Truck 8 Ft. Box(1981-86)
74=Cherokee 2WD-4 Dr.(1984-86)	87=CJ-7(1981-86)	65=Comanche 4WD-7 Ft. Box(1986)	15=Wagoneer 4 Dr.(1981-83)
18=Cherokee 4 Dr.(1981-83)	88=CJ-8, Scrambler(1981-86)	15=Grand Wagoneer 4 Dr.(1984-86)	75=Wagoneer 4WD-4 Dr.(1984-86)
77=Cherokee 4WD-2 Dr.(1984-86)			

BODY

CJ=CJ-5, CJ-6, CJ-7, CJ-8, Scrambler(1981-86)
MJ=Comanche Pickup(1986)

STYLES

SJ=Wagoneer(1981-83), Grand Wagoneer(1984-86),
Cherokee(1981-83), J-10, J-20(1981-86)
XJ=Wagoneer(1984-86), Cherokee(1984-86)

AR = Use as Required - = Non Illustrated Part P.A.R. = Paint as Required