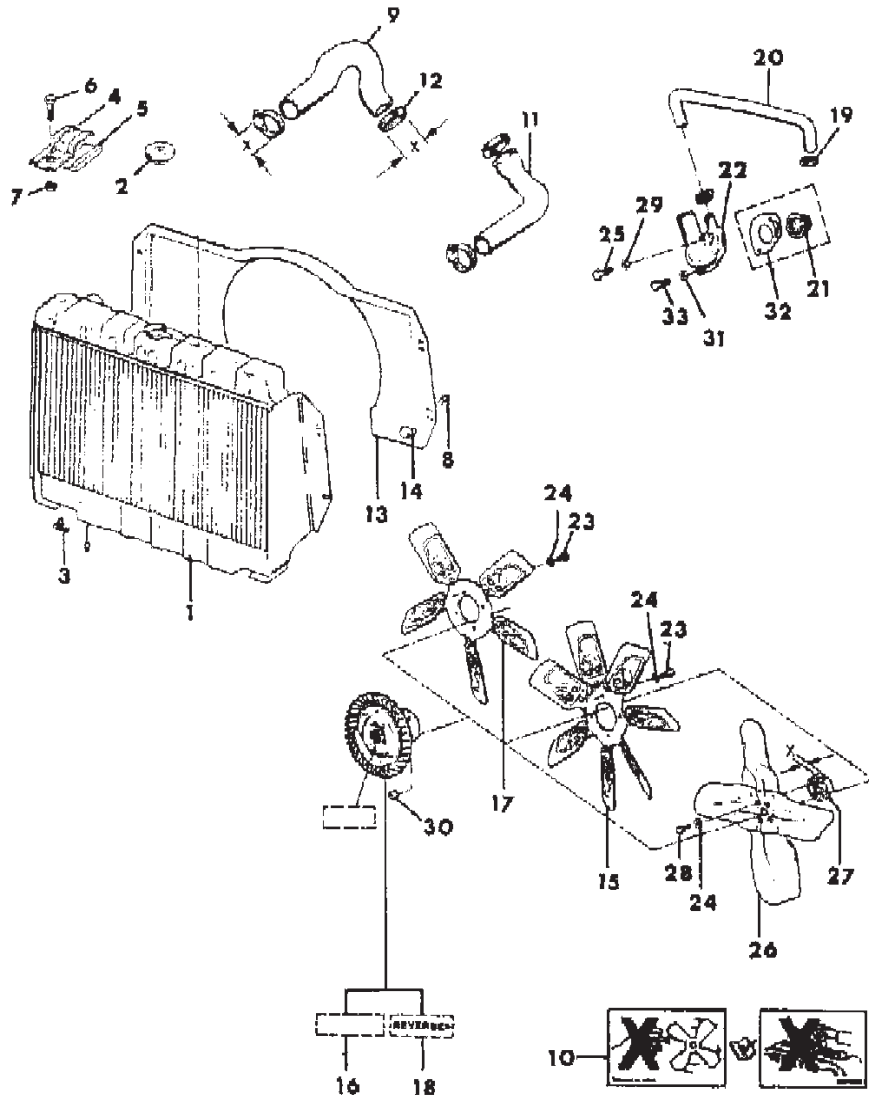


RADIATOR AND RELATED PARTS 1981-86 SIX CYLINDER CJ-5,6,7,8, SCRAMBLER

Figure 7-800

81J07 800



ITEM	PART NUMBER	QTY	BODY	MODEL	DESCRIPTION
1	J536 2165	1			RADIATOR Without Heavy Duty Cooling
	J536 2492	1			With Heavy Duty Cooling
2					CAP Without Coolant Recovery System
	J535 2954	1			1981-86 Without Coolant Recovery System
	J590 0584	1			1981 With Coolant Recovery System
	J535 8177	1			1982-86
3	J535 9274	1			DRAINCOCK
4	J546 2315	1			BRACKET
5	J546 1551	1			PAD
6	S016 1895	2			BOLT
7	J044 5446	2			NUT
8	J400 3556	4			BOLT
9	J536 2697	1			HOSE, Inlet
10	J323 4806	1			LABEL, Fan
11					HOSE, Outlet
	J535 4380	1			Without Heavy Duty Cooling
	J536 2162	1			With Heavy Duty Cooling
12					CLAMP
	J320 3079	AR			1.81" to 2.75"
	J320 3078	AR			1.31" to 2.25"
13	J536 2539	1			SHROUD, With Heavy Duty Cooling
14	J400 4208	4			NUT
15					FAN, Cooling, With Heavy Duty Cooling, Without Serpentine Belt Drive
	J535 7390	1			Without Fan Drive
	J099 4277	1			With Fan Drive
16	J536 2170	1			DRIVE, Fan, With Heavy Duty Cooling, Without Serpentine Belt Drive
17	J536 2528	1			FAN, Cooling, With Serpentine Belt Drive, 7 Blade
18	J536 2520	1			DRIVE, Fan, With Serpentine Belt Drive
19	J320 3076	2			CLAMP
20	J320 3739	AR			HOSE, Bulk, 1 Foot
21	8350 1426	1			THERMOSTAT PACKAGE, Engine Coolant
22	J323 5347	1			HOUSING, Thermostat
23	J018 0075	4			BOLT
24	J012 0214	4			WASHER

MODEL CODES

16=Cherokee 2 Dr.(1981-83)	78=Cherokee 4WD-4 Dr.(1984-86)	64=Comanche 2WD-6 Ft. Box(1986)	25=J-10 Truck 7 Ft. Box(1981-84)
17=Cherokee 2 Dr.(1981-83)	85=CJ-5 (1981-83)	66=Comanche 2WD-7 Ft. Box(1986)	26=J10 Truck 8 Ft. Box(1981-86)
73=Cherokee 2WD-2 Dr.(1984-86)	86=CJ-6(1981)	63=Comanche 4WD-6 Ft. Box(1986)	27=J-20 Truck 8 Ft. Box(1981-86)
74=Cherokee 2WD-4 Dr.(1984-86)	87=CJ-7(1981-86)	65=Comanche 4WD-7 Ft. Box(1986)	15=Wagoneer 4 Dr.(1981-83)
18=Cherokee 4 Dr.(1981-83)	88=CJ-8, Scrambler(1981-86)	15=Grand Wagoneer 4 Dr.(1984-86)	75=Wagoneer 4WD-4 Dr.(1984-86)
77=Cherokee 4WD-2 Dr.(1984-86)			

BODY

CJ=CJ-5, CJ-6, CJ-7, CJ-8, Scrambler(1981-86)
MJ=Comanche Pickup(1986)

STYLES

SJ=Wagoneer(1981-83), Grand Wagoneer(1984-86),
Cherokee(1981-83), J-10, J-20(1981-86)
XJ=Wagoneer(1984-86), Cherokee(1984-86)

AR = Use as Required - = Non Illustrated Part P.A.R. = Paint as Required