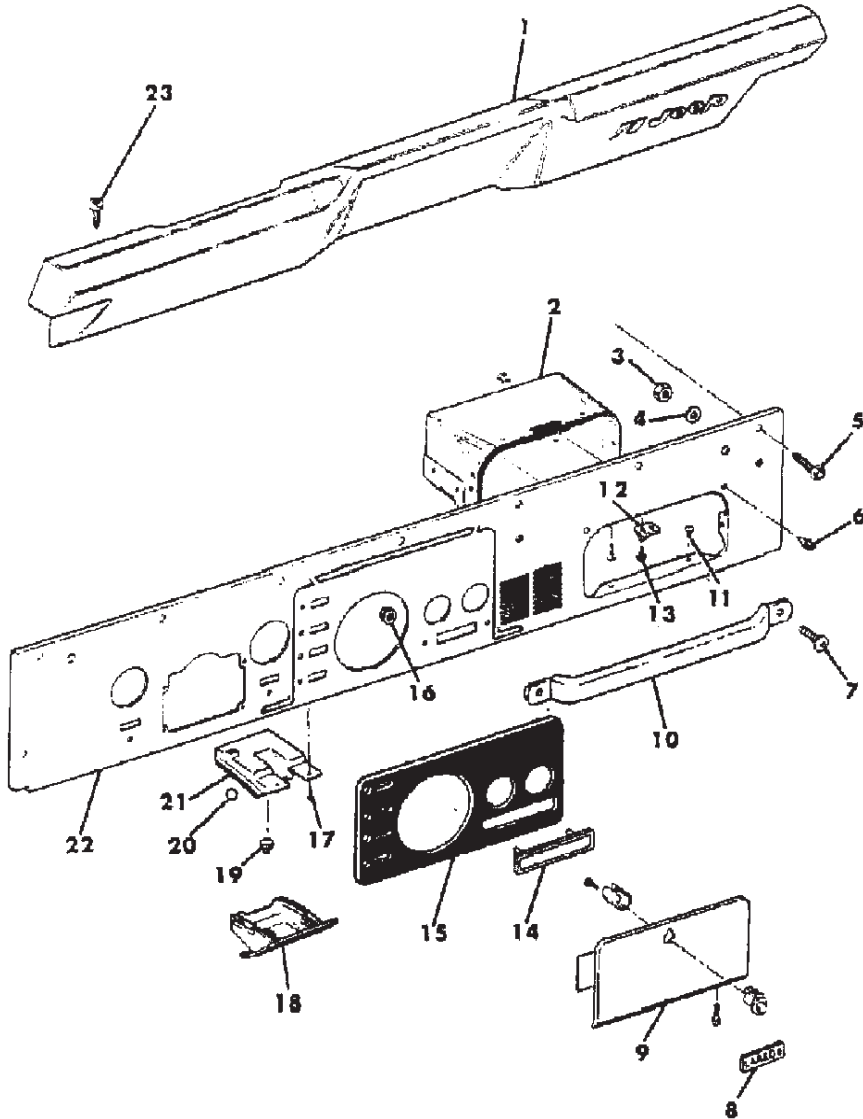


INSTRUMENT PANEL PAD AND BEZELS CJ-5,6,7,8, SCRAMBLER

Figure 8A-100

81J 082 100



ITEM	PART NUMBER	QTY	BODY	MODEL	DESCRIPTION
1	J576 0456	1			PAD, Instrument Panel Without Movable Vent Window
	J576 0458	1			With Movable Vent Window
2	J575 2279	1			HOUSING, Glove Box
3	J027 1190	2			NUT
4	J066 4607	2			WASHER
5	J400 4991	12			SCREW
6	J066 4836	2			BUMPER
7	S045 1976	2			BOLT
8					NAMEPLATE
	J575 0835	1			Laredo
	J576 3560	1			30th Anniversary
9					DOOR, Glove Box
	J097 0053	1			With Latching Glove Box
	J576 4164	1			With Locking Glove Box
10					HANDLE, Assist
	J576 1402	1			Slate Blue
	J575 1221	1			Laredo
	J576 5358	1			Black
	J575 5278	1			Honey
	J575 5278	1			Nutmeg
11	J068 9311	1			Without Laredo
12	J941 7333	2			SCREW
	J095 7276	1			STRIKER, Glove Box Lock
	J576 1367	1			1981
	J576 1531	1			1982-83
13	J400 5520	2			SCREW
14	J546 2707	1			COVER
15					OVERLAY ***
	J546 2709	1			Right Hand Drive
16	J575 5366	1			NUT
17	J320 9575	2			SCREW
18					ASH TRAY
	J575 6763	1			Without Factory Installed Air Conditioning
	J364 9527	1			With Factory Installed Air Conditioning
19	J400 0081	1			PLUG
20					BALL

MODEL CODES

16=Cherokee 2 Dr.(1981-83)	78=Cherokee 4WD-4 Dr.(1984-86)	64=Comanche 2WD-6 Ft. Box(1986)	25=J-10 Truck 7 Ft. Box(1981-84)
17=Cherokee 2 Dr.(1981-83)	85=CJ-5 (1981-83)	66=Comanche 2WD-7 Ft. Box(1986)	26=J10 Truck 8 Ft. Box(1981-86)
73=Cherokee 2WD-2 Dr.(1984-86)	86=CJ-6(1981)	63=Comanche 4WD-6 Ft. Box(1986)	27=J-20 Truck 8 Ft. Box(1981-86)
74=Cherokee 2WD-4 Dr.(1984-86)	87=CJ-7(1981-86)	65=Comanche 4WD-7 Ft. Box(1986)	15=Wagoneer 4 Dr.(1981-83)
18=Cherokee 4 Dr.(1981-83)	88=CJ-8, Scrambler(1981-86)	15=Grand Wagoneer 4 Dr.(1984-86)	75=Wagoneer 4WD-4 Dr.(1984-86)
77=Cherokee 4WD-2 Dr.(1984-86)			

BODY

CJ=CJ-5, CJ-6, CJ-7, CJ-8, Scrambler(1981-86)
MJ=Comanche Pickup(1986)

STYLES

SJ=Wagoneer(1981-83), Grand Wagoneer(1984-86),
Cherokee(1981-83), J-10, J-20(1981-86)
XJ=Wagoneer(1984-86), Cherokee(1984-86)

AR = Use as Required - = Non Illustrated Part P.A.R. = Paint as Required