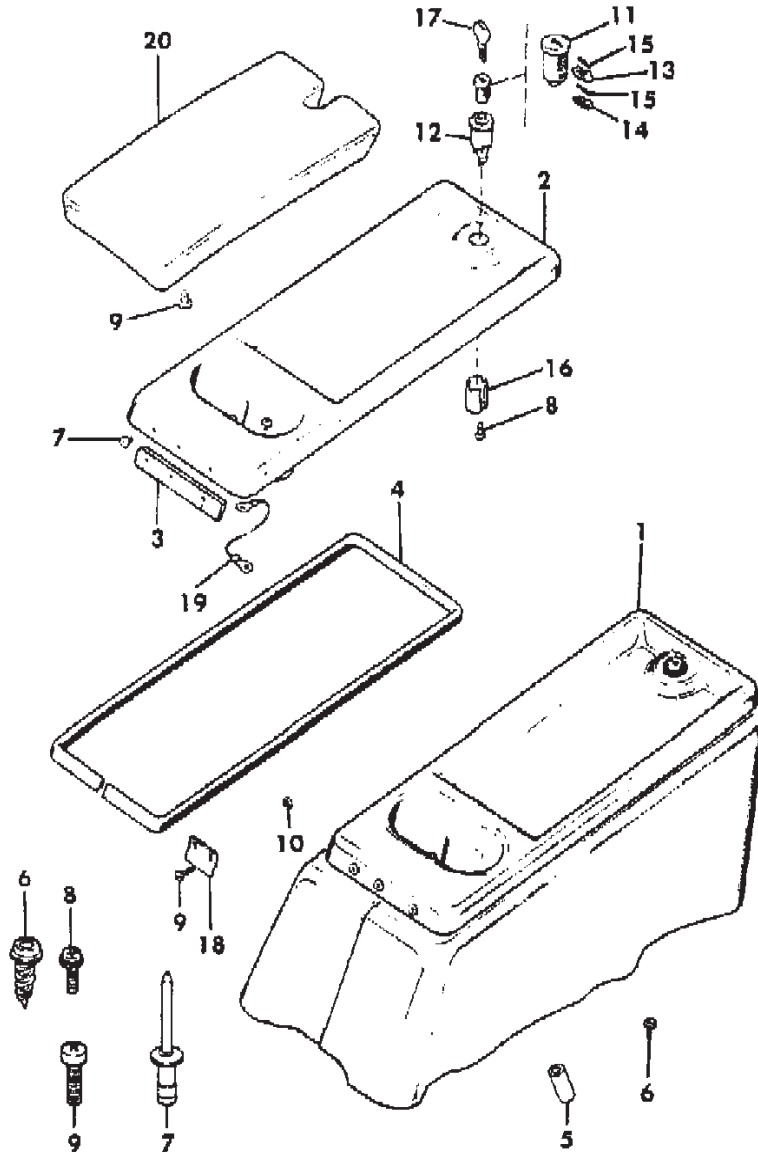


CONSOLE, FLOOR CJ-5,6,7,8 SCRAMBLER
Figure 8A-700

81J 082 700



ITEM	PART NUMBER	QTY	BODY	MODEL	DESCRIPTION
1	J899 7174	1			CONSOLE
2	J546 1604	1			DOOR, Console
3	J546 1605	1			HINGE, Door
4	J546 1606	1			SEAL, Door
5	J546 1607	1			SEAL, Drain
6	J400 2359	4			SCREW
7	J400 5300	6			RIVET
8	J045 0649	1			SCREW
9	J015 9920	4			SCREW
10	J027 1166	2			NUT
11	J448 7663	1			CYLINDER, Lock
12	J448 4698	1			CASE
13					TUMBLER, Cylinder ***
	J812 2876	AR			"1"
	J812 2877	AR			"2"
	J812 2878	AR			"3"
	J812 2879	AR			"4"
	J812 2880	AR			"5"
14	J812 2875	1			RETAINER, Tumbler
15	J812 2881	5			SPRING
16	J546 3621	1			RETAINER, Lock
17	J364 1913	1			KEY
	J813 2541	1			STRIKER
19	J374 1968	1			CABLE, Door
20					COVER, Armrest
	J575 4516	1			Black
	J575 5959	1			Nutmeg

MODEL CODES

16=Cherokee 2 Dr.(1981-83)	78=Cherokee 4WD-4 Dr.(1984-86)	64=Comanche 2WD-6 Ft. Box(1986)	25=J-10 Truck 7 Ft. Box(1981-84)
17=Cherokee 2 Dr.(1981-83)	85=CJ-5 (1981-83)	66=Comanche 2WD-7 Ft. Box(1986)	26=J10 Truck 8 Ft. Box(1981-86)
73=Cherokee 2WD-2 Dr.(1984-86)	86=CJ-6(1981)	63=Comanche 4WD-6 Ft. Box(1986)	27=J-20 Truck 8 Ft. Box(1981-86)
74=Cherokee 2WD-4 Dr.(1984-86)	87=CJ-7(1981-86)	65=Comanche 4WD-7 Ft. Box(1986)	15=Wagoneer 4 Dr.(1981-83)
18=Cherokee 4 Dr.(1981-83)	88=CJ-8, Scrambler(1981-86)	15=Grand Wagoneer 4 Dr.(1984-86)	75=Wagoneer 4WD-4 Dr.(1984-86)
77=Cherokee 4WD-2 Dr.(1984-86)			

BODY

CJ=CJ-5, CJ-6, CJ-7, CJ-8, Scrambler(1981-86)
MJ=Comanche Pickup(1986)

STYLES

SJ=Wagoneer(1981-83), Grand Wagoneer(1984-86),
Cherokee(1981-83), J-10, J-20(1981-86)
XJ=Wagoneer(1984-86), Cherokee(1984-86)

AR = Use as Required - = Non Illustrated Part P.A.R. = Paint as Required